

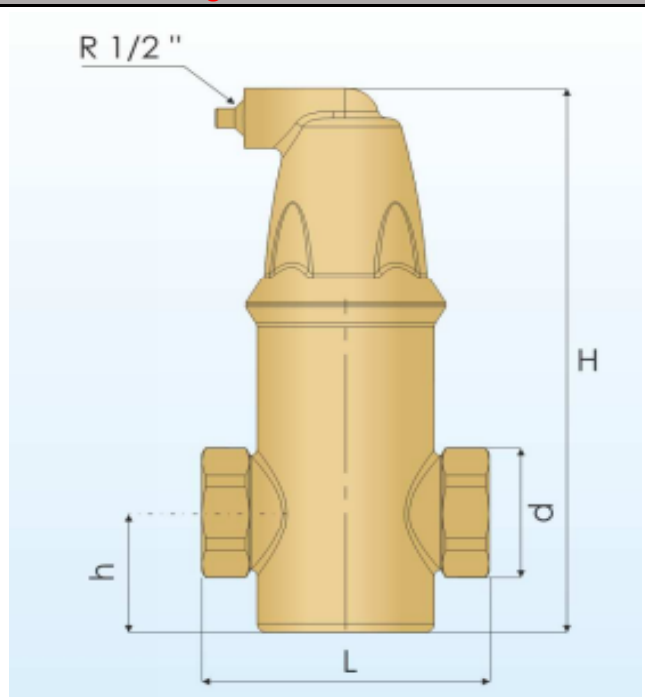
Company Name	
Project Name	
Referance	



Design Criteria	
Medium	Water/glycol (max.%50)
Max. Flow velocity	1 m/s
Max. Flow rate	1,0 l/s
Max. Pressure	10 barg
Max. Temperature	110°C
Design Standard	Factory standard

SV-D-Y ViraVent 1.1/4"
NRF nr. 8560915

Technical Drawing



Testing and Quality Assurance	
Leakage test	yes
Test certificate	no
Design and manufacturing acc.2014/68/EC	yes art.4.3/SEP
Material certificates (structual parts)	no
Drawing	no

Construction Materials	
Body	Brass
Deaeration cap	Brass
Valve sealing	EPDM
Float	PP

Dimension

Internal mesh	316 Stainless Steel	DN	1.1/4"	
Solder	Soft	H	164	mm
		h	41	mm
		L	88	mm
		R	1/2"	mm
		e	-	inch
		Weight	0,95	kg

Products produced before 19.07.2016 are according to 97/23/EC