

TYPE : ST - SS

1/2"

Applications

Automatic Air Vents automatically purges air, micro bubbles and other gases from the system into the atmosphere quickly and reliably. Air can be collected at high points or specifically designated collection points. There is a float-controlled vent valve in the **VIRATOP** and **VIRASOLAR**.

If the float loses buoyancy due to the air that has accumulated in the collection chamber, it sinks and the vent valve opens. Automatically air is purged.

The float has enough space to move freely even if there are dirt deposits in the air collection chamber. This waterlevel ensures to protect the valve mechanism from dirt.

VIRASOLAR can be used for new built projects and renovation of solar installations.



Features

Body
 Connections
 Max. Working Temperature
 Max. Working Pressure
 Product Range

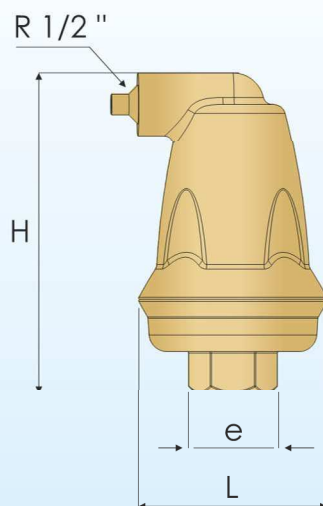
Smarttop

. Brass
 : Screwed
 : 110 °C
 : 10 bar
 : ST Screwed - 1/2"

Smartsolar

Brass
 Screwed
 160 °C
 10 bar
 SS Screwed - 1/2"

Technical Features



TYPE	DN	H	h	L	R	e	Weights kg
		mm	mm	mm	mm	inch	
ST	1/2"	102	-	∅59	1/2"	1/2"	0,54
SS	1/2"	102	-	∅59	1/2"	1/2"	0,64

Note : Vira, reserves the right to modify dimensions, material and design without warning.

1/2" male thread connection for pressure testing or remote venting of unwanted gasses.

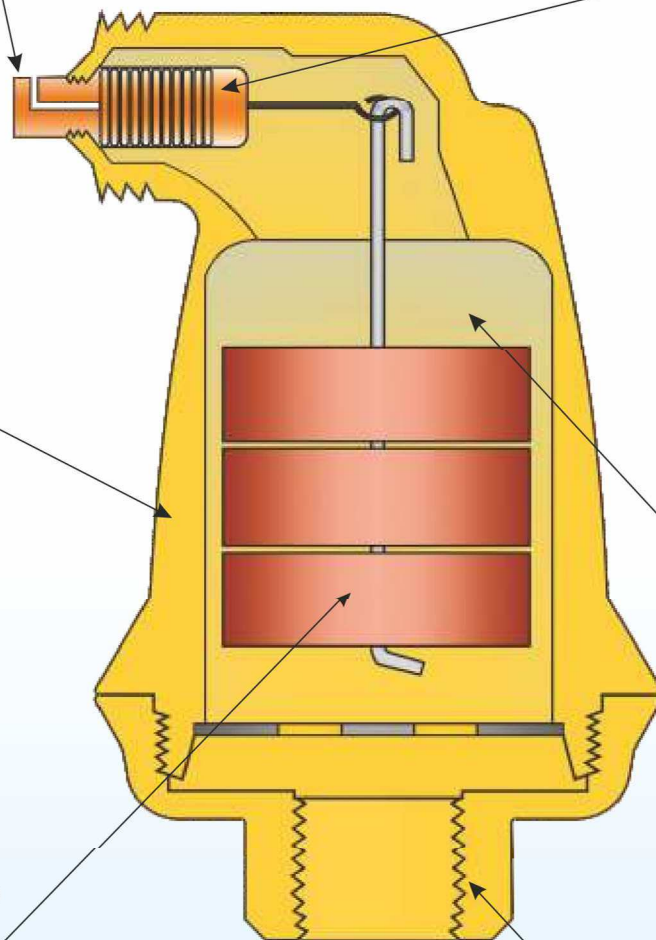
The special design float controlled vent valve.

Long life and strong body.

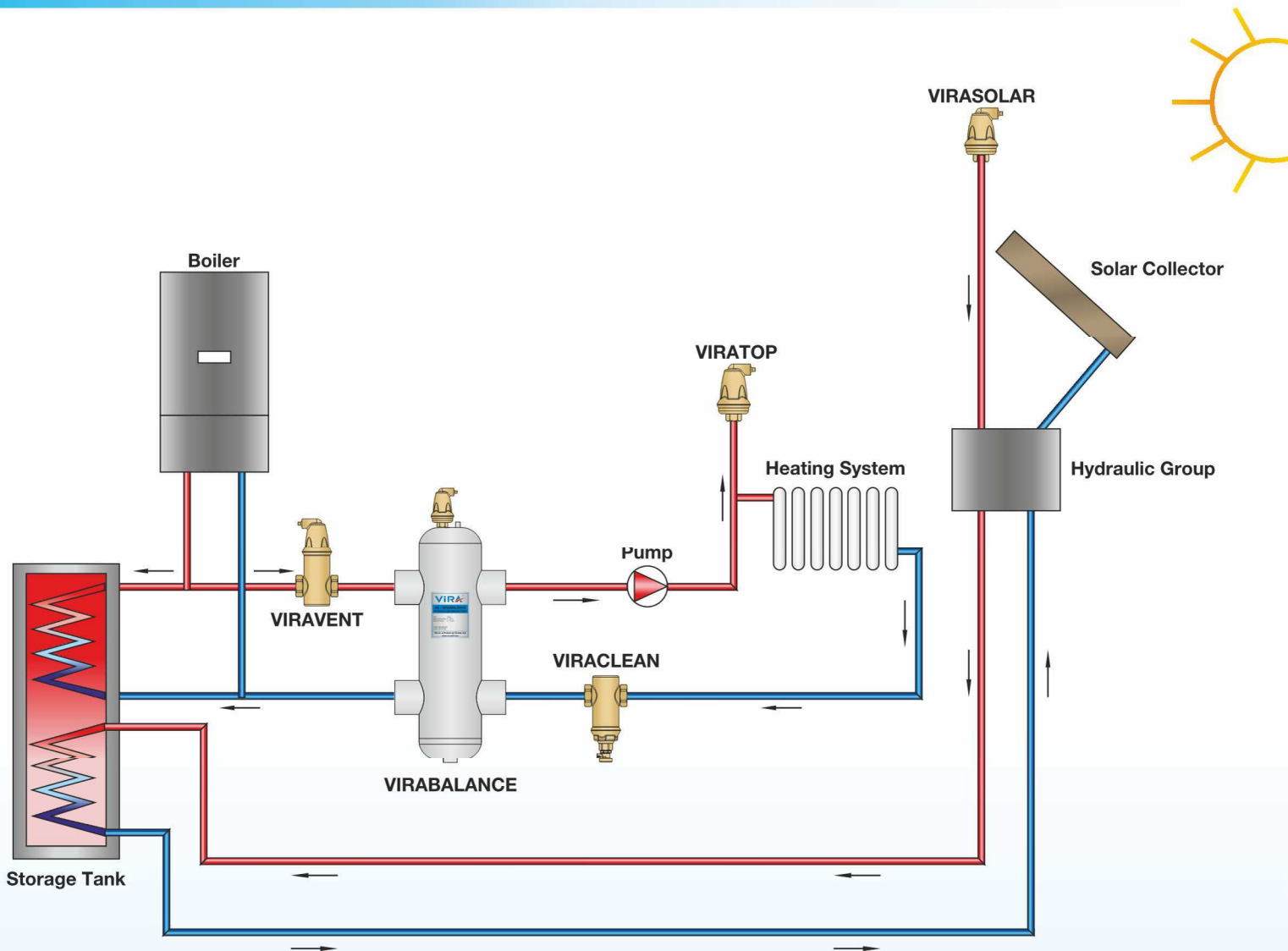
The float has enough space to move freely.

Even the smallest micro-bubbles are separated.

System connection 1/2" for vertical installation.



Installations



VIRATOP - VIRASOLAR Automatic Air Vent must be installed at high points or specifically designed collection points. It can be used for hard to reach areas, such as the tops tanks heaters and horizontal lines near the ceiling.